

# EMBELLISH LABELS INTO CAPTIVATING WORK OF ART



**dSpark hybrid+**

**dSpark**



## Redefining Efficiency, Quality and Versatility

The JETSCI<sup>®</sup> Global Digital Embellishment Presses redefines the standards of efficiency, quality, and versatility in label embellishment. Engineered to meet the evolving demands of the modern **label industry and brands** alike, this press is a **game-changer in the world of printing and converting.**

# Experience the Difference with JETSCI® Global Digital Embellishment Solutions

Driven by Inkjet technology using UV curable fluids for the embellishment process in combination with conventional or digital printing processes **dSpark hybrid+** enhances product labels and packaging to new heights, offering a complete solution to label and packaging printers and converters. By harnessing the advantages offered by both the technologies, it offers unparalleled versatility, enabling users to produce a wide range of embellished labels with exceptional quality and speed.

**Unparalleled Flexibility**

**Not Just Short Runs**

**Elevating Marketability**

**Enhanced Perceived Value  
& Brand Expectations**

## Unleash Creativity with Cutting-Edge Technology

In today's competitive market, perception is everything. The JETSCI® Global Digital Embellishment Presses helps you exceed customer expectations by enhancing the perceived value of your products. With **premium quality embellishments and impeccable finishes**, your brand will be associated with excellence, quality, and sophistication.

Whether you are a **label printer, converter, or brand owner**, our press offers unparalleled performance, reliability, and innovation. Elevate your label designs, enhance your brand's presence, and stay ahead of the competition with JETSCI®.



# Versatility to Meet Your Needs

Whether you're looking to add a touch of elegance with **foiling or create a tactile experience with raised textures**, our presses offers unparalleled versatility to bring your creative vision to life.

With customizable options and flexible features, you have the freedom to explore endless design possibilities.

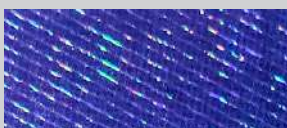


Partner with **JETSCI® Global**, a brand of **Monotech® Systems Ltd.** for Success

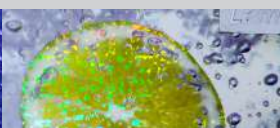
# Precision and Quality, Every Time

With JETSCI®, precision and quality are non-negotiable. Our Digital Label Embellishment Press ensures impeccable results with every print, delivering consistent and flawless embellishments that enhance the overall aesthetics of your labels. Say goodbye to inconsistencies and hello to perfection.

With JETSCI® Digital Label Embellishment Presses, the possibilities are endless. **Elevate your brand's presence, captivate your audience, and leave a lasting impression** with labels that truly stand out. Partner with us and take your label designs to new heights of creativity and excellence.



Textured



Spot Varnish



Embossed Effect



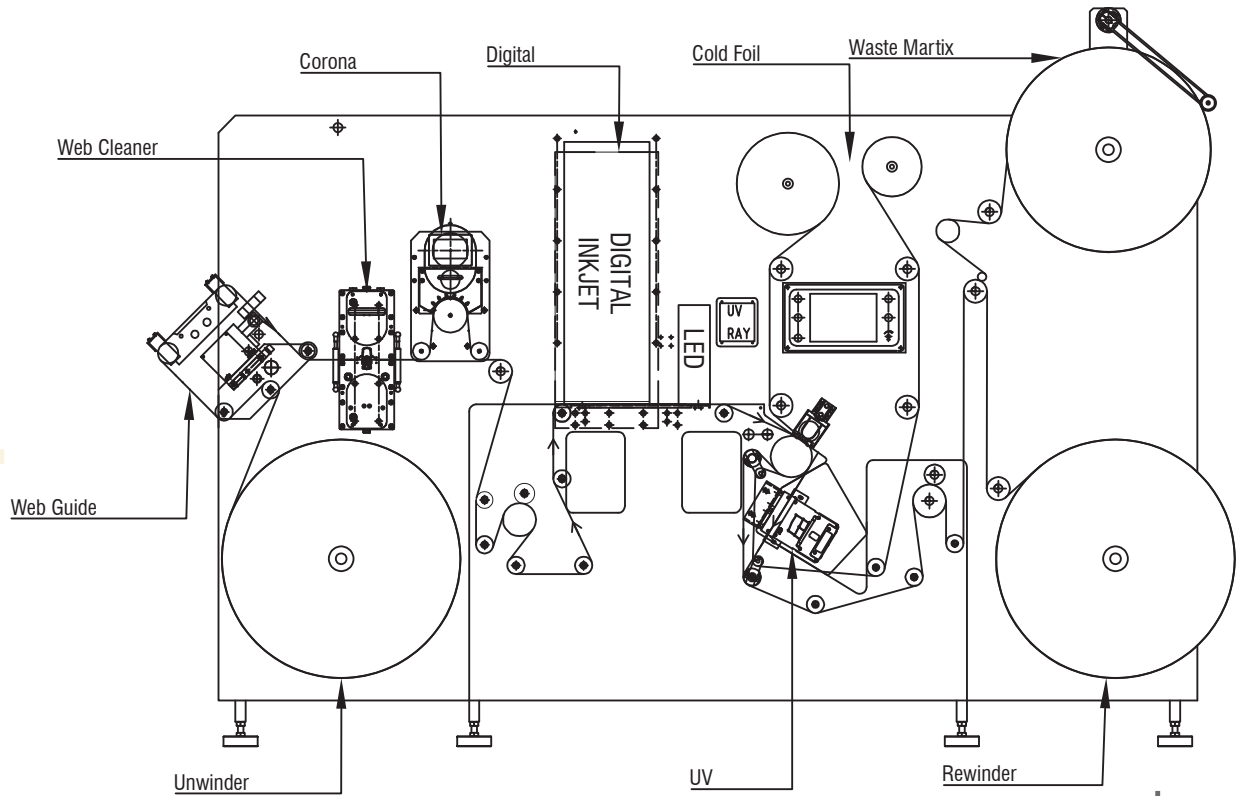
Cold Foiling



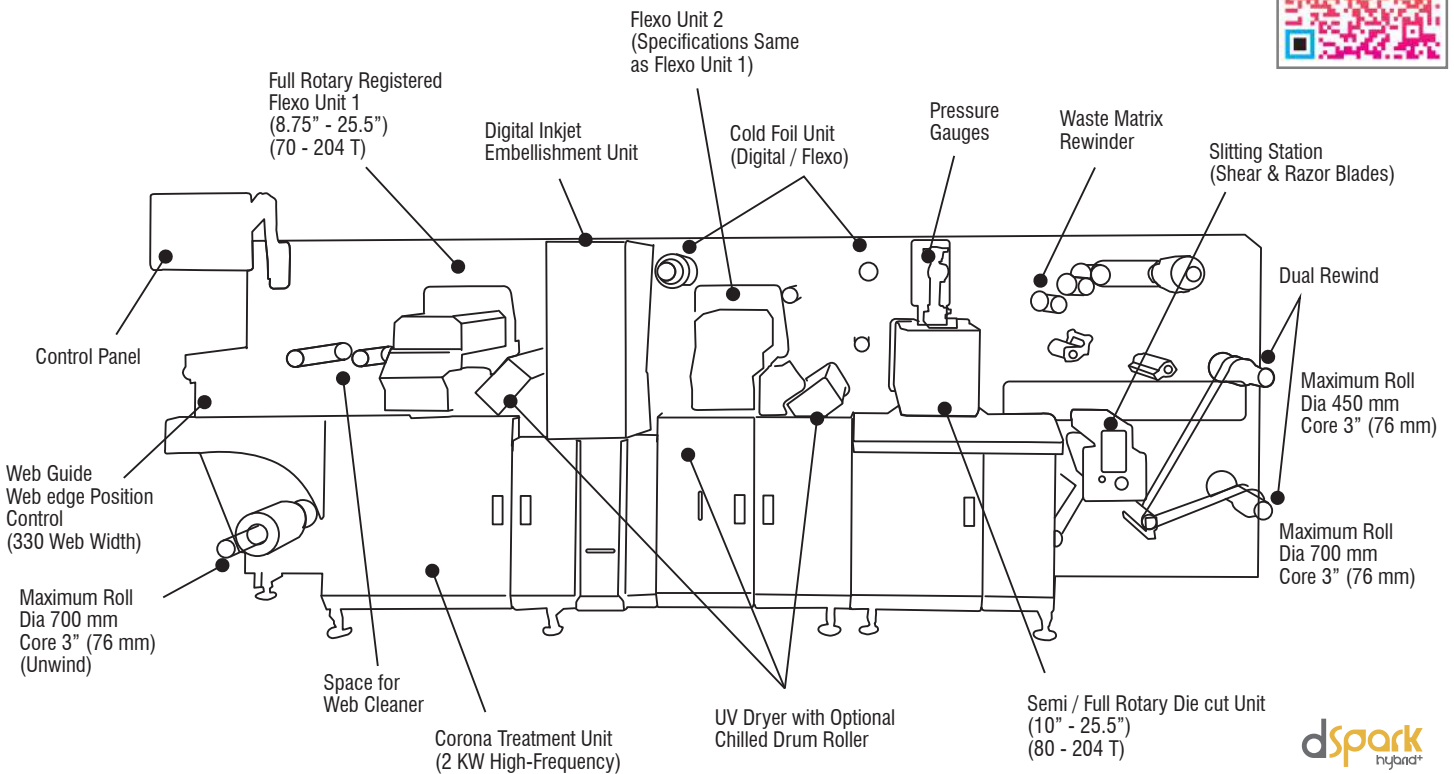
Silk-Screen Effect

# Expand Beyond CMYK with Embellishment

dspark



dspark



dspark hybrid+

dspark hybrid+



# Technical Specifications

	dSpark	dSpark hybrid +
Print Width	Up to 330 mm	
Print Resolutions	Up to 1440 DPI	
Maximum Speed	Up to 35 m/ min (Depending on Substrate & Hi-Build)	
Unwinder	Maximum Roll Dia 700 mm, Core 3" (76 mm)	
Corona Treatment Unit	2 KW High-Frequency	
Space for Web Cleaner	Available	
Multiple Foil Options	Standard - with Differential Shafts	
Pre / Post- Flexo Unit	N/A	Full Rotary Registered Flexo Unit
Cold Foil	Digital	Digital / Flexo
*UV Dryer with Optional Chilled Drum Roller	Available	
Semi / Full Rotary Die Cut Unit	N/A	Yes (10" - 25.5"   80 - 204 T)
Waste Matrix Rewinder	Available	
Slitting Station	N/A	Shear & Razor Blades
Rewinder	Single Rewind Maximum Roll Dia 700 mm	Dual Rewind Maximum Roll Dia 1- 450 mm Maximum Roll Dia 2- 700 mm
Varnish / Glue Type	UV Curable	
Tank Size	5 Litres	
Input Format	PDF, Hi- Resolution JPEG, PNG, TIFF,	
Industrial Controller Configuration	Industrial PC with 64- Bit Windows, 64 GB RAM, 256 GB SSD	
Operating Environment	20-26 °C, Humidity 40-60%, Non Condensing	
Air Supply Requirement	Compressed Air, 6-8 Bar, Moisture & Oil Free	
Electrical Requirements	Inkjet Print Module- 220-240 V, 50-60 Hz, 10A	
	Web Transport	
	3 Phase, 410-440 V, 50-60 Hz, 24 KW	3 Phase, 410-440 V , 50-60 Hz, 45 KW
Dimensions	2870 x 1850 x 1700 mm	4600 x 1660 x 1700 mm
Weight** (approx.)	1600 Kg	2500 Kg

\*Chilled Unit is in Customer Scope

\*\*Varies as per configuration


 **Proudly Made in India**

Introduced in Dec' 2012 

In-house manufacturing and integration 


In-house application development 

Proficient and seasoned R&D team 


Tailored solutions for customer application needs 


Exceptional customer satisfaction 


**About JETSCI® Global**

 India's pioneer integrator of high-speed industrial inkjet systems

 Global channel network with installations spanning over 20 countries

 Successful execution of numerous turnkey solutions and projects

 Innovative technology solutions for Label Printing and Track & Trace

 Swift returns on investments and low total cost of ownership

 Top-tier after-sales support

[www.jetsciglobal.com](http://www.jetsciglobal.com)



**MONOTECH SYSTEMS LIMITED**

Head Office : 8B, "Chaitanya Exotica", 24 Venkatnarayana Road, T. Nagar, Chennai - 600 017, Tamilnadu, India  
Phone: +91 44 2815 7928/7894/7933, 4350 2232

R&D Center : B-15, InfoCity Phase 1, Sector 34, Gurugram-122 001, Haryana, India  
Phone: +91 124 2371 771, +91 999 958 5324 Toll free (India): 1-800-102-4567  
Email : [jetsciglobal@monotech.in](mailto:jetsciglobal@monotech.in) | [www.jetsciglobal.com](http://www.jetsciglobal.com) | [www.monotech.in](http://www.monotech.in)

 monotechsystems  monotechsystems  monotechsystem



All the product models, color and components are for graphical representation only; actual product may vary. Monotech Systems reserves the right to change specifications without prior notice. All logos and brands mentioned in this collateral are trademarks and copyrights of their respective brand owners.